

# İSPANYOLET KOLLU PANO KİLİTLERİ

SWING HANDLE LOCKS WITH ROD CONTROL SYSTEM

003

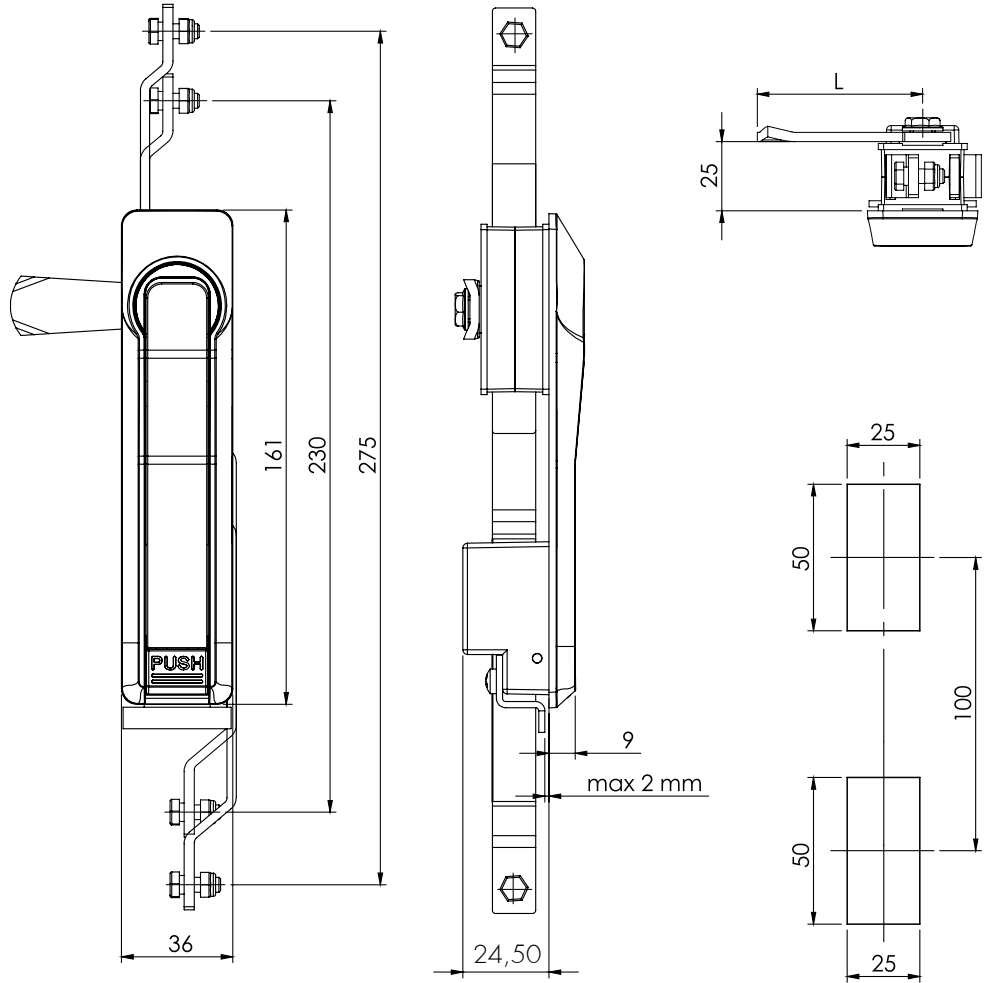
Kollu Pano Kilidi / Swing Handle

IP65

L / R



Asma Kilit  
Padlock Device Selectable



## KULLANIM ALANLARI:

Elektrik Panoları, Makine Kapakları,  
Bilgisayar Kabinleri

## APPLICATIONS:

Electric Panels, Machinery Covers,  
Rack Cabinets

Kod Code	Gövde Body	Kol Handle	Mekanizma Mechanism	Dil Cam	Asma Kilit için Padlock Device
003	2	1 F	M	CM	A
				Yüzey / Finishing Malzeme / Material	

MALZEME / MATERIAL	
GÖVDE BODY	Poliamid Polyamide
KOL HANDLE	Zamak Zinc Die
MEKANİZMA MECHANISM	Zamak veya Poliamid Zinc Die or Polyamide
DİL CAM	Çelik Steel
CONTA SEAL	Poliüretan Polyurethane

MALZEME / MATERIAL	CODE
Zamak / Zinc Die	1
Poliamid / Polyamide	2

YÜZEY / FINISHING	CODE
Krom Kaplama / Chrome Plated	1
Siyah Toz Boya / Black Powder Coated	2

MEKANİZMA / MECHANISM	CODE
Zamak / Zinc Die	M1
Poliamid / Polyamide	M2

TIRNAKSIZ DİLLER / CAMS WITHOUT STOPPER (CM)													
CODE	01	02	05	06	07	08	09	010	019	043	045	046	086
H	14	24	0	16	6	12	0	7	0	0	4	10	6
L	48	48	46	46	52	50	54	44	64	44	43	48	62