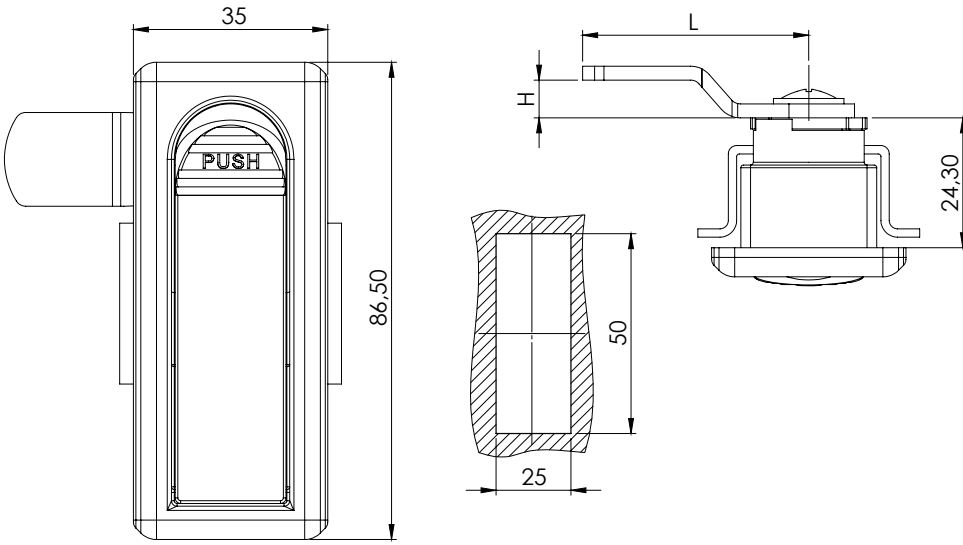


Fonksiyonel Kilit / Lift and Turn Latches

020



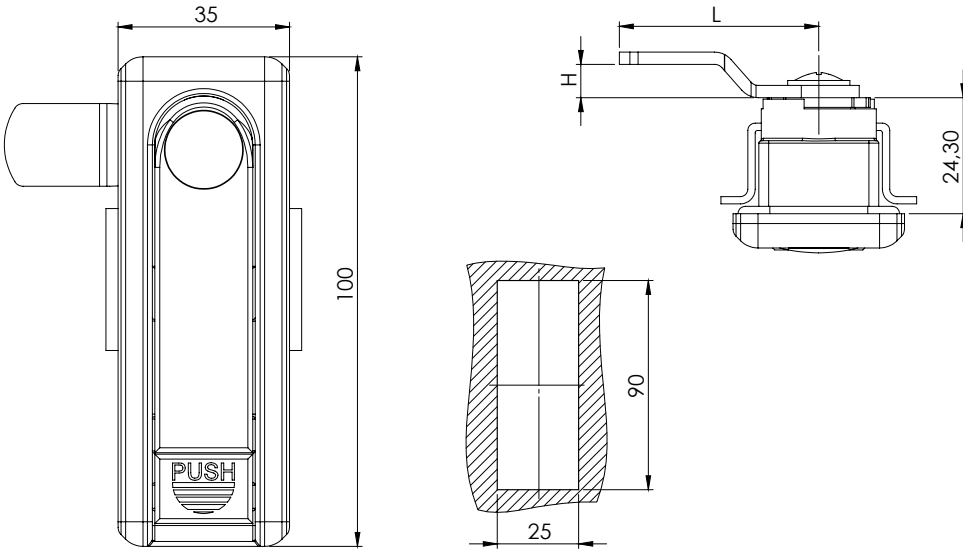
Kod
Code
020

Dil
Cam
CM



Fonksiyonel Kilit / Lift and Turn Latches

021



Kod
Code
021

Dil
Cam
CM



KULLANIM ALANLARI:

Elektrik Panoları, Makine Kapakları

APPLICATIONS:

Electric Panels, Machinery Covers

MALZEME / MATERIAL

GÖVDE BODY	Poliamid Polyamide
DİL CAM	Çelik Steel

		DİLLER / CAMS (CM)										
	CODE	011	013	014	016	029	056	057	062	065	034	
	H	8	0	4	0	-10	4	5	-6	5	0	
	L	50	44	42	54	48	52	77	52	85	36	