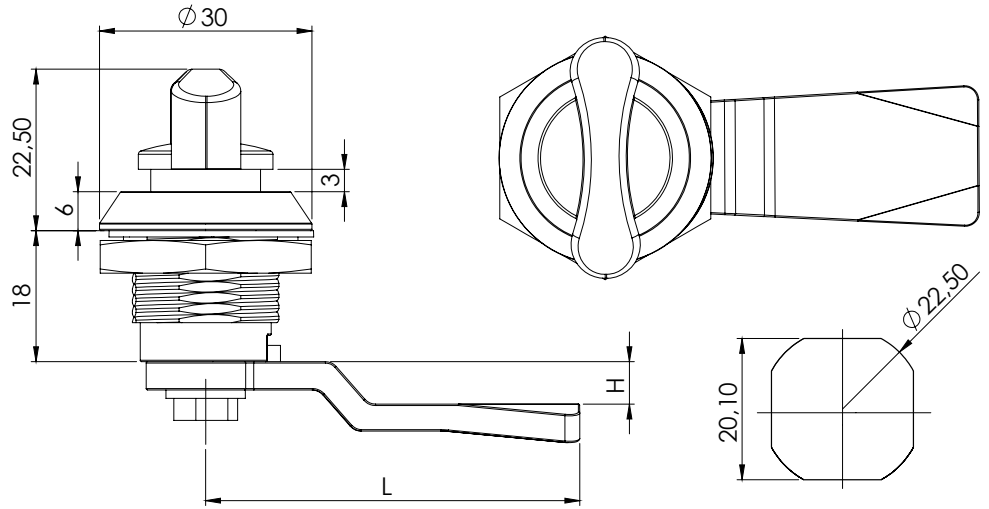


YAYLI PANO KİLİTLERİ

QUARTER TURN CAM LOCKS

255

Yaylı Pano Kilidi (Metal Kelebek) / Quarter Turn Wing Knob



MALZEME / MATERIAL	
KOVAN HOUSING	Zamak Zinc Die
KELEBEK KNOB	Zamak Zinc Die
SOMUN NUT	Zamak Zinc Die
DİL CAM	Çelik Steel

Kod Code	Kovan Housing	Kelebek Knob	Dil Cam
255	1 F	1 F	CM

Yüze / Finishing
 Malzeme / Material
 Yüze / Finishing
 Malzeme / Material

YÜZEY / FINISHING	CODE
Krom Kaplama / Chrome Plated	1
Siyah Toz Boya / Black Powder Coated	2

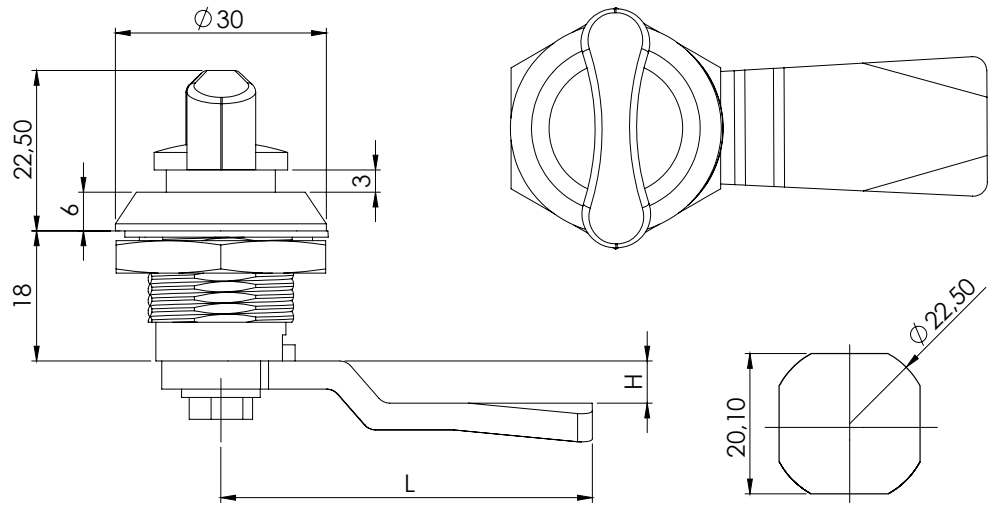
MALZEME / MATERIAL		CODE
Zamak / Zinc Die		1
Plastik / Polyamide		2

255

Yaylı Pano Kilidi (Plastik Kelebek) / Quarter Turn Wing Knob-Plastic

VERSION

V1



KULLANIM ALANLARI:
Elektrik Panoları, Makine Kapakları

APPLICATIONS:
Electric Panels, Machinery Covers

MALZEME / MATERIAL	
KOVAN HOUSING	Zamak Zinc Die
KELEBEK KNOB	Poliamid Polyamide
SOMUN NUT	Zamak Zinc Die
DİL CAM	Çelik Steel

Kod Code	Version	Dil Cam
255	V1	CM

İSP. TIRNAKLI DİLLER / CAMS FOR ROD CONTROL (CM)						
CODE	03	020	053	054	055	064
H	8	0	0	12	4	0
L	49	51	60	54	52	55

TIRNAKLI DİLLER / CAMS WITH STOPPER (CM)																				
CODE	01	02	05	06	07	08	09	010	012	018	019	043	045	046	047	052	059	060	061	086
H	14	24	0	16	6	12	0	7	-12	0	0	0	4	10	-4	-2	15	12	5	6
L	48	48	46	46	52	50	54	44	50	29	64	44	43	48	46	52	44	44	45	62