

İSPANYOLET KOLLU PANO KİLİTLERİ

SWING HANDLE LOCKS WITH ROD CONTROL SYSTEM

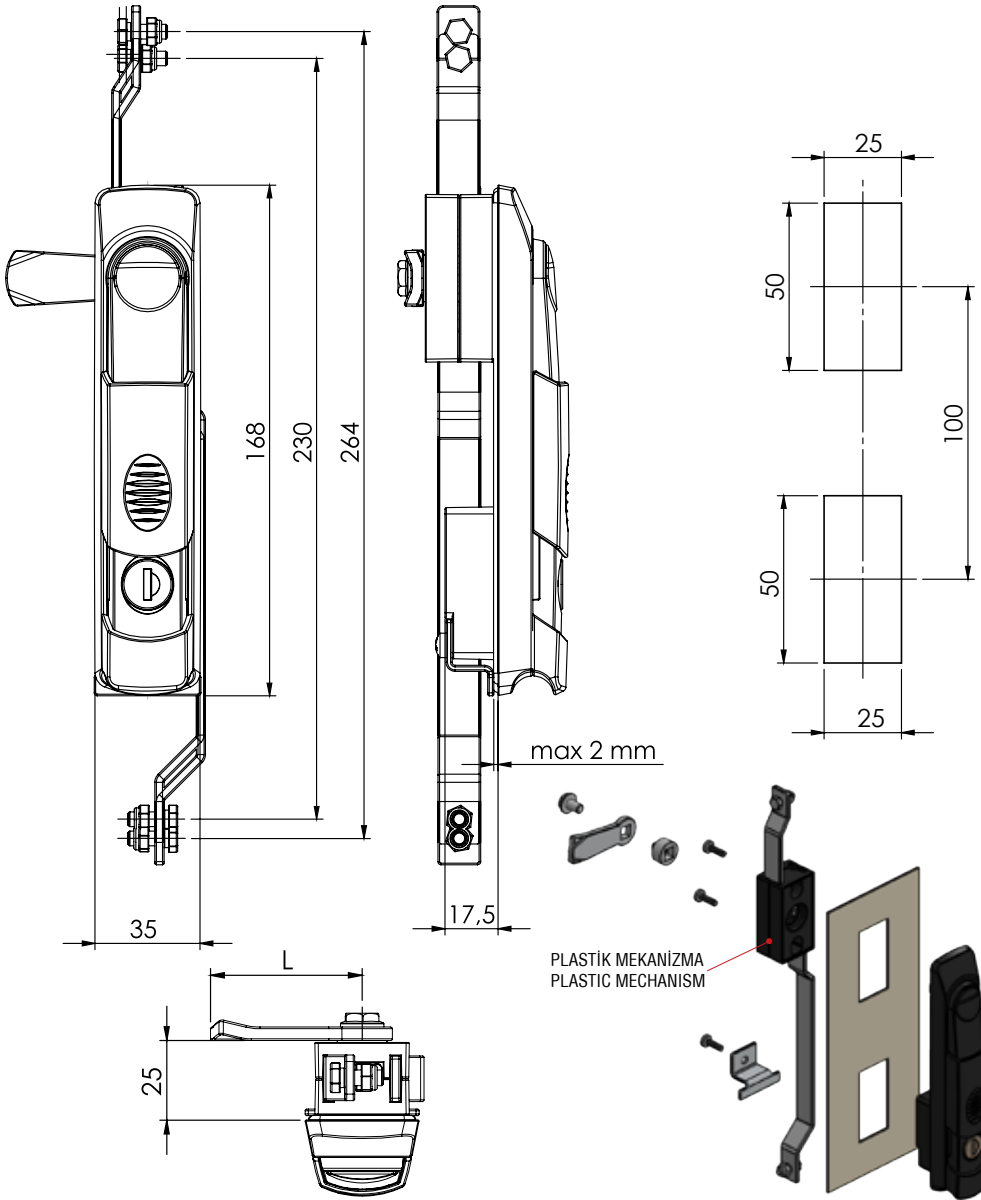
IP65

L / R



Kollu Pano Kilidi / Swing Handle

016



Asma Kilit
Padlock Device Selectable

KULLANIM ALANLARI:

Elektrik Panoları, Makine Kapakları,
Bilgisayar Kabinleri

APPLICATIONS:

Electric Panels, Machinery Covers,
Rack Cabinets

Kod Code	Mekanizma Mechanism	Barel Cylinder	Dil Cam	Asma Kilit için Padlock Device
016	M	CC	CM	A

MEKANİZMA / MECHANISM	CODE
Zamak / Zinc Die	M1
Poliamid / Polyamide	M2

BAREL / CYLINDER TYPE (CC)	CODE
Aynı Şifreli / Keyed Alike	01
Farklı Şifre / Keyed Different	02
Eurokey (1333)	03
405 Aynı Şifre (Birbirini Açar) Keyed Alike	41
455 Aynı Şifre (Birbirini Açar) Keyed Alike	42

BAREL / CYLINDER TYPE (CC)	CODE
33	5 mm / DB
34	8 mm / Kare Square
35	8 mm / Üçgen Triangle

TIRNAKSIZ DİLLER / CAMS WITHOUT STOPPER (CM)	CODE
	01 02 05 06 07 08 09 010 019 043 045 046 086
H	14 24 0 16 6 12 0 7 0 0 4 10 6
L	48 48 46 46 52 50 54 44 64 44 43 48 62

MALZEME / MATERIAL	CODE
GÖVDE BODY	Poliamid Polyamide
KOL HANDLE	Poliamid Polyamide
MEKANİZMA MECHANISM	Zamak veya Poliamid Zinc Die or Polyamide
DİL CAM	Çelik Steel
CONTA SEAL	Poliüretan Polyurethane