

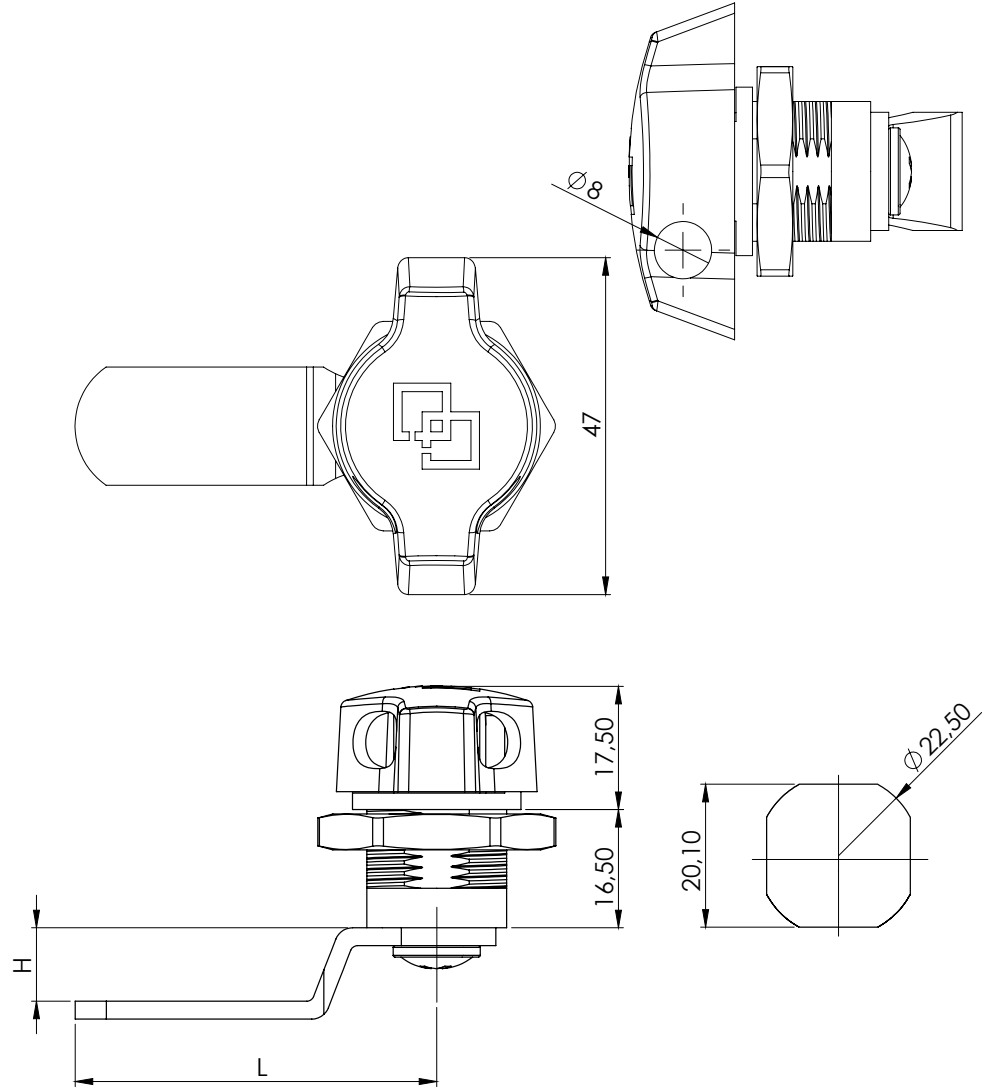
# YAYLI PANO KİLİTLERİ

## QUARTER TURN CAM LOCKS

245

Asma Hamilli Yaylı Pano Kilidi / Padlockable Wing Knob

L/R



### KULLANIM ALANLARI:

Elektrik Panoları, Makine Kapakları,  
Çelik Dolap

### APPLICATIONS:

Electric Panels, Machinery Covers,  
Steel Cupboards

Kod  
Code  
**245**

Yüze  
Finishing  
**F**

Dil  
Cam  
**CM**

**L/R**

→ Sağ / Right  
→ Sol / Left

### MALZEME / MATERIAL

KOVAN HOUSING	Zamak Zinc Die
KELEBEK KNOB	Zamak Zinc Die
SOMUN NUT	Zamak Zinc Die
DİL CAM	Çelik Steel

### YÜZEY / FINISHING CODE

Krom Kaplama / Chrome Plated	1
Siyah Toz Boya / Black Powder Coated	2

### İSP. TIRNAKSIZ DİLLER / CAMS FOR ROD CONTROL (CM)

CODE	03	020	053	054	055	064
H	8	0	0	12	4	0
L	49	51	60	54	52	55

### DİLLER / CAMS (CM)

CODE	011	013	014	016	029	056	057	062	065	034
H	8	0	4	0	-10	4	5	-6	5	0
L	50	44	42	54	48	52	77	52	85	36